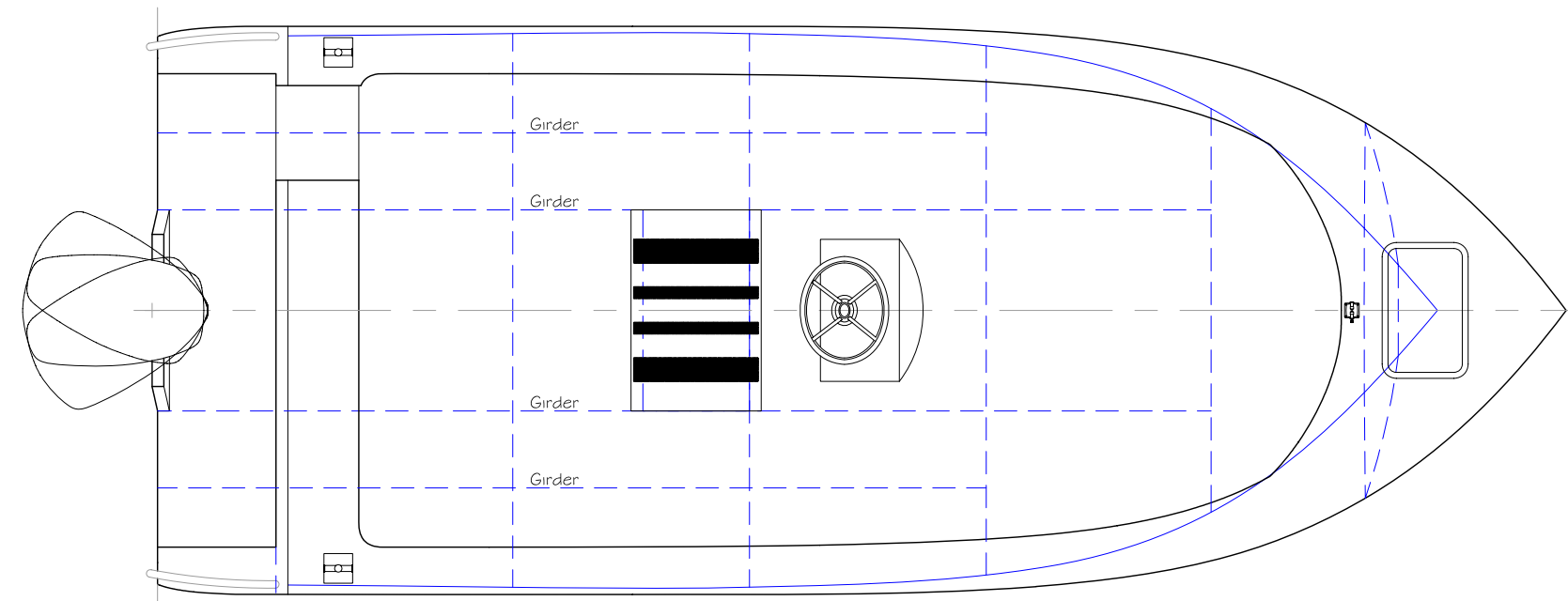
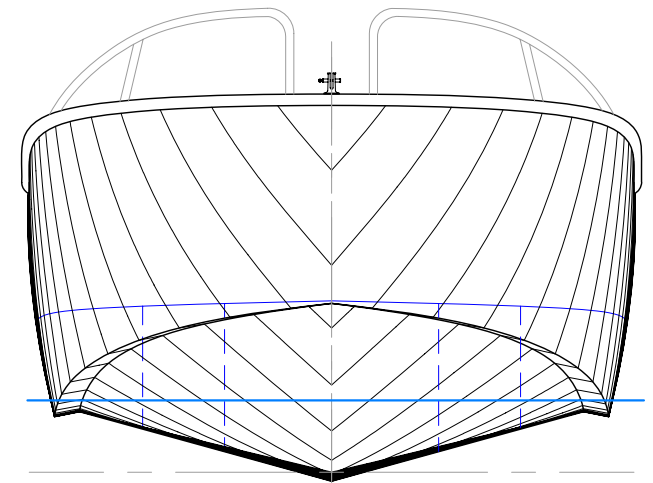


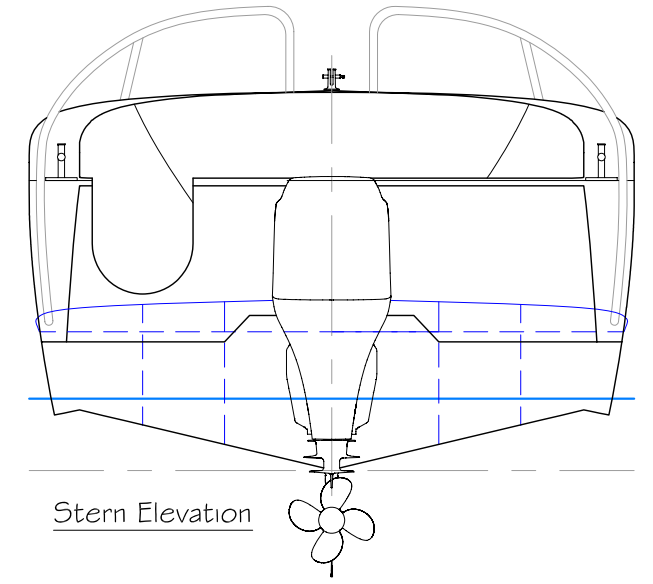
Outboard Profile



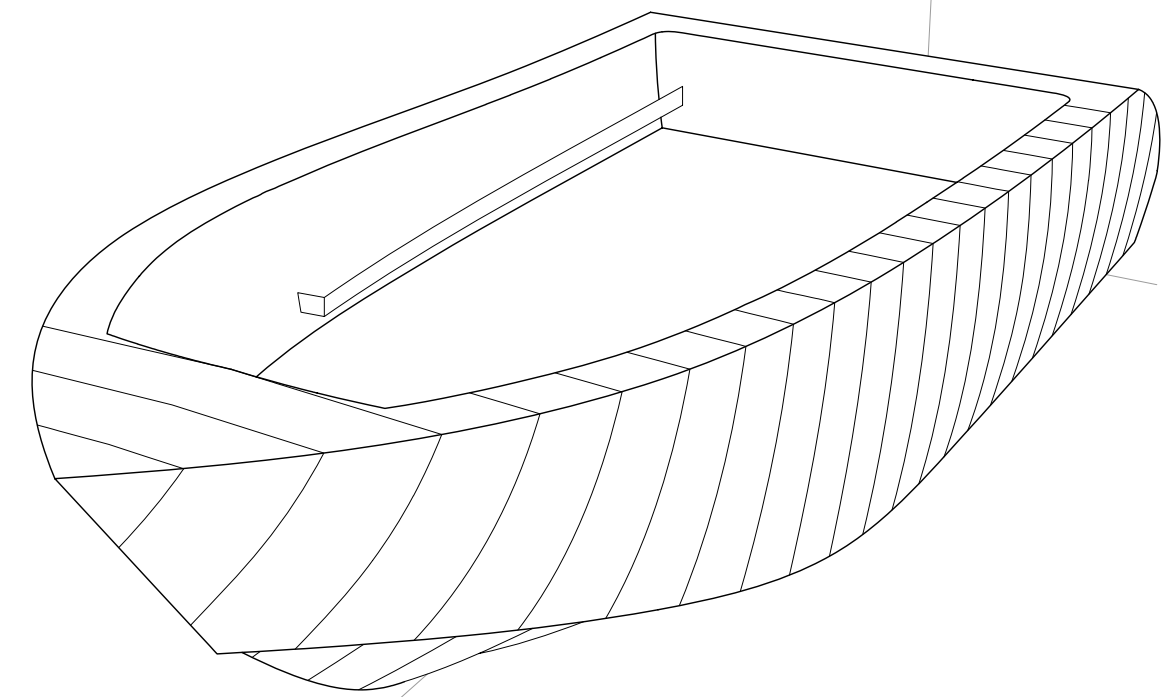
Deck Plan



Bow Elevation



Stern Elevation



5.9m OCEAN PROWLER

Length LO/A : 5.95 m	Bottom Plate : 5mm
Length LWL : 4.88 m	Chine Plate : 4mm
Beam, B : 2.20 m	Side Plate : 4mm
Depth, d : 0.55 m	Transom : 5mm
Fuel : 100 Litres	Gunwale : 3mm
Displacement, ΔLS : 750 kg	Main Deck : 4mm
Draft, TLS : 230 mm	Material : 5083 Aluminium
Displacement, ΔDWL : 1500 kg	Hull Frames : 3mm - 525 I-H32
Draft, TDWL : 285 mm	Hull Longitudinals : 3mm - 525 I-H32
	Speed, V _{CRUISING} : 25 knots
	Speed, V _{MAX} : 45 knots



MODEL : OP5900

KIT PRICE:

1469 SANDGATE ROAD, NUNDAH, BRISBANE, Q. 4012.
 PH: 07-3266 5111, FAX: 07 3266 5211
 Email: info@sealifedesigns.com, Web: www.sealifedesigns.com